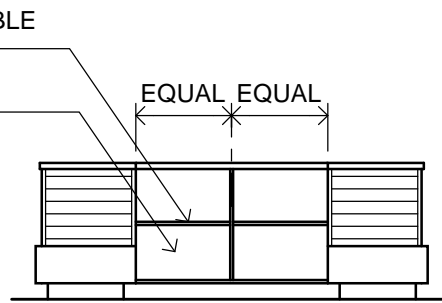
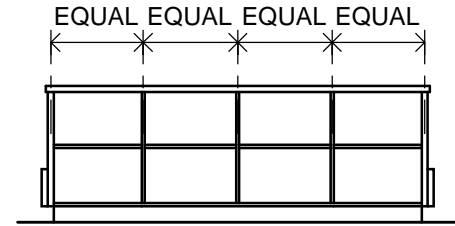


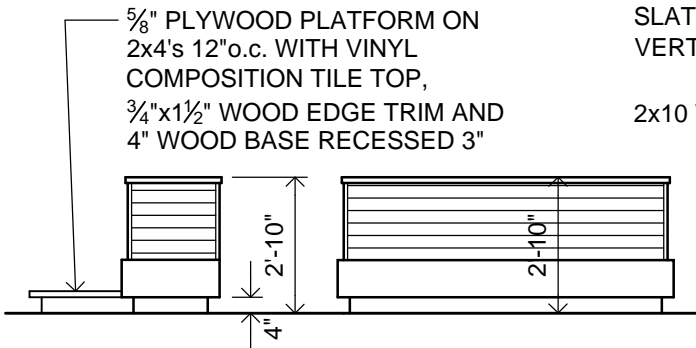
1 SECTION
SCALE: 1/4"=1'-0"



2 SECTION
SCALE: 1/4"=1'-0"

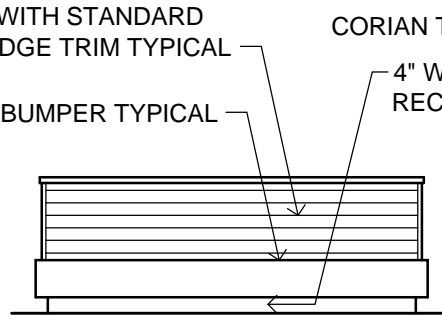


3 SECTION
SCALE: 1/4"=1'-0"



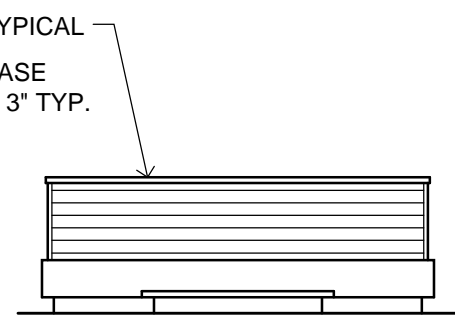
4 ELEVATION
SCALE: 1/4"=1'-0"

SLAT WALL WITH STANDARD VERTICAL EDGE TRIM TYPICAL
2x10 WOOD BUMPER TYPICAL



5 ELEVATION
SCALE: 1/4"=1'-0"

CORIAN TOPS TYPICAL
4" WOOD BASE RECESSED 3" TYP.



6 ELEVATION
SCALE: 1/4"=1'-0"

TYPICAL "U" CHECKOUT ELEVATIONS

SCALE: 1/4"=1'-0"

WERTHEIM, VAN DER PLOEG, & KLEMEYER